

GENERAL SPECIFICATIONS FOR SW3000s

Toggles

Rockers

Pushbuttons

Illuminated PB

Programmable

Keylocks

Rotaries

Slides

Tactiles

Tilt

Touch

Indicators

Accessories

Supplement

B Electrical Capacity (Resistive & Inductive Load)**Power Level:** Shown in the following tables**Other Ratings**

Contact Resistance: 10 milliohms maximum
Insulation Resistance: 1,000 megohms minimum @ 500V DC
Dielectric Strength: 2,000V AC minimum for 1 minute minimum
Mechanical Life: 30,000 operations minimum
Electrical Life: 10,000 operations minimum
Angle of Throw (α): Shown on drawings or following tables

Materials & Finishes

Rocker: Urea resin; all rockers are white.
Mounting Frame: Steel with chromate plating over zinc plating
Case Cover/Insulator: Phenolic resin
Case: Melamine phenol
Movable Contactor Plate: Copper with silver plating
Movable & Stationary Contacts: Silver alloy plus copper with silver plating
Terminals: Copper with tin plating

Environmental Data

Operating Temp Range: -10°C through +70°C (+14°F through +158°F)
Sealing: Dustproof cover of silicone rubber on SW3006A, SW3007A, & SW3008A

Installation

Maximum Panel Thickness: Shown with following drawings
Soldering Time & Temperature: Manual Soldering: See Profile A in Supplement section.

Standards & Certifications

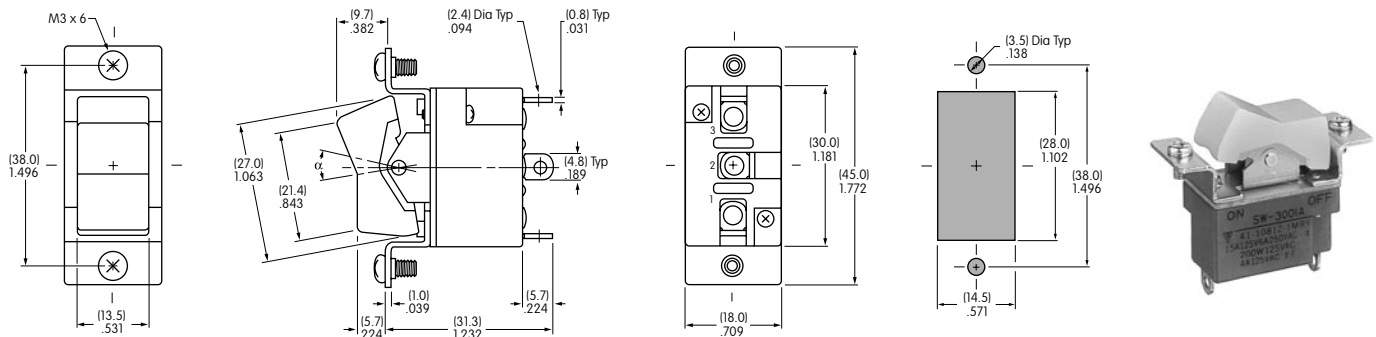
- UL: File No. E44145 - Recognized only when ordered with marking on switch.**
 Add "/U" or "/CUL" to end of part number to order UL recognized switch.
 UL or cULus recognition designated beside part numbers on following pages.
 See Supplement section to find UL or cULus rating details.
- CSA: File No. 023535_0_000 - Certified only when ordered with marking on switch.**
 Add "/C" to end of part number to order CSA certified switch.
 CSA certification designated beside part numbers on following pages.
 See Supplement section to find CSA rating details.
- VDE: License No. 119189 - Approved only when ordered with marking on switch.**
 Add "/V" to end of part number to order VDE approved switch.
 SW3006A at 20A @ 125V AC & 10A @ 250V AC

SINGLE POLE WITH SOLDER LUG *

| * UL & CSA recognized only when ordered with marking on switch (see General Specs) | | Rocker Position/Connected Terminals | | | | | | Electrical Capacity | | | | | |
|------------------------------------------------------------------------------------|-------------|-------------------------------------|------|------|-----|--------|-----|---------------------|-----------|---------|-----------|------------------------------|----------------|
| Model | * Approvals | | Pole | Down | | Center | Up | | Resistive | | Inductive | $\alpha =$ Angle of Throw | |
| | | | | | | | | | AC 125V | AC 250V | DC 30V | | AC 125V PF 0.6 |
| SW3001A | ✓ | ✓ | SPST | ON | 1-3 | NONE | OFF | — | 15A | 6A | 15A | 10A | 24° |
| SW3002A | ✓ | ✓ | SPDT | ON | 2-3 | NONE | ON | 2-1 | 15A | 6A | 15A | 10A | 24° |
| SW3003A | ✓ | ✓ | SPDT | ON | 2-3 | OFF | ON | 2-1 | 15A | 6A | 15A | 10A | 28° |

Throw & Schematics: SPST INTERNAL CONNECTION Note: Terminal numbers are actually on the switch.

* Wire harness & cable assemblies offered only in Americas.



Maximum Effective Panel Thickness:

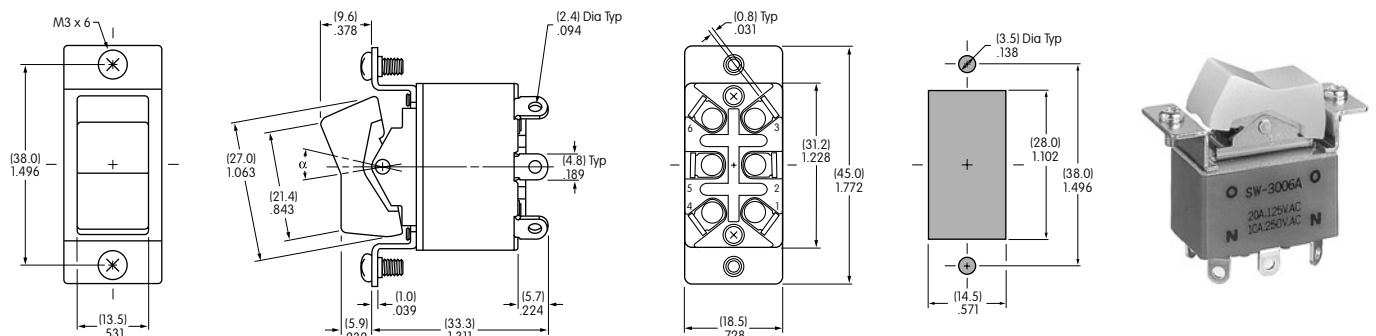
SW3001A does not have terminal 2. .197" (5.0mm) for SW3001A & SW3002A models; .177" (4.5mm) for SW3003A models **SW3001A**

DOUBLE POLE WITH SOLDER LUG *

| * UL, cULus & CSA recognized only when ordered with marking on switch (see General Specs) | | Rocker Position/Connected Terminals () = Momentary | | | | | | Electrical Capacity | | | | | | |
|-------------------------------------------------------------------------------------------|-------------|-----------------------------------------------------|---|------|------|---------|------|---------------------|-----------|---------|-----------|------------------------------|----------------|-----|
| Model | * Approvals | | | Down | | Center | Up | | Resistive | | Inductive | $\alpha =$ Angle of Throw | | |
| | | | | | | | | | AC 125V | AC 250V | DC 30V | | AC 125V PF 0.6 | |
| SW3006A | ✓ | ✓ | ✓ | DPDT | ON | 2-3 5-6 | NONE | ON | 2-1 5-4 | 20A | 10A | 20A | 10A | 24° |
| SW3007A | — | — | ✓ | DPDT | ON | 2-3 5-6 | OFF | ON | 2-1 5-4 | 15A | 6A | 15A | 10A | 28° |
| SW3008A | — | — | — | DPDT | (ON) | 2-3 5-6 | OFF | (ON) | 2-1 5-4 | 15A | 6A | 15A | 10A | 24° |

Throw & Schematic: DPDT Note: Terminal numbers are actually on the switch.

* Wire harness & cable assemblies offered only in Americas.



Maximum Effective Panel Thickness:

.197" (5.0mm) for SW3006A & SW3008A models; .177" (4.5mm) for SW3007A models **SW3006A**

GENERAL SPECIFICATIONS FOR SW3800s

Toggle

Rockers

Pushbuttons

Illuminated PB

Programmable

Keylocks

Rotaries

Slides

Tactiles

Tilt

Touch

Indicators

Accessories

Supplement

B Electrical Capacity (Resistive & Inductive Load)

Power Level: Shown in the following tables
 Note: See Supplement section for details of design for inductive DC loads.

Other Ratings

Contact Resistance: 10 milliohms maximum
Insulation Resistance: 1,000 megohms minimum @ 500V DC
Dielectric Strength: 2,000V AC minimum for 1 minute minimum
Mechanical Life: 50,000 operations minimum
Electrical Life: 25,000 operations minimum
Angle of Throw: Shown on following drawings
Nominal Operating Force: 1,800 grams for SW3822
 2,200 grams for SW3823 Off to On
 800 grams for SW3823 On to Off

Materials & Finishes

Rocker: Urea resin; all rockers are white.
Mounting Frame: Steel with chromate plating over zinc plating
Case Cover/Insulator: Phenolic resin
Case: Melamine phenol
Movable Contacts: Copper with silver plating
Stationary Contacts: Silver alloy plus copper with silver plating
Terminals: Brass (terminal screws of brass with nickel plating)

Environmental Data

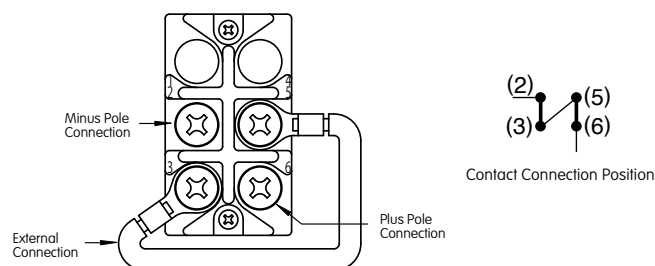
Operating Temp Range: -10°C through +70°C (+14°F through +158°F)

Standards & Certifications

UL: **File No. E44145 - Recognized only when ordered with marking on switch.**
 Add "/U" or "/CUL" to end of part number to order UL recognized switch.
 UL or cULus recognition designated beside part numbers on following pages.
 See Supplement section to find UL or cULus rating details.

CSA: **File No. 023535_0_000 - Certified only when ordered with marking on switch.**
 Add "/C" to end of part number to order CSA certified switch.
 CSA certification designated beside part numbers on following pages.
 See Supplement section to find CSA rating details.

Wiring for DC400V 10A



DOUBLE POLE WITH SCREW LUG

| Model | *Approvals UL cULus CSA | Pole | Rocker Position/Connected Terminals | | | | | | Electrical Capacity | | | | | | | |
|---------|----------------------------|------|-------------------------------------|---------|------------|--------|------------|-----------|---------------------|----------------|----------------|-----------|-----|----------|-----|-----|
| | | | Down | | Center | Up | | Resistive | | | | Inductive | | | | |
| | | | AC 125V | AC 250V | DC 30V | DC 48V | DC 125V | DC 250V | DC 400V | AC 125V PF 0.6 | AC 250V PF 0.6 | | | | | |
| SW3821 | ✓ | ✓ | ✓ | DPST | ON 2-3 5-6 | NONE | OFF — | 30A | 30A | 30A | — | 1A | — | — | 30A | 15A |
| SW3822 | ✓ | ✓ | ✓ | DPDT | ON 2-3 5-6 | NONE | ON 2-1 5-4 | 30A | 30A | 30A | — | 1A | — | — | 30A | 15A |
| SW3823 | ✓ | ✓ | ✓ | DPDT | ON 2-3 5-6 | OFF | ON 2-1 5-4 | 30A | 30A | 30A | — | 1A | — | — | 30A | 15A |
| SW3821D | ✓ | ✓ | ✓ | DPST | ON 2-3 5-6 | NONE | OFF — | — | — | 30A | 30A | 20A | 15A | 4A (10A) | — | — |
| SW3822D | ✓ | ✓ | ✓ | DPDT | ON 2-3 5-6 | NONE | ON 2-1 5-4 | — | — | 30A | 30A | 20A | 15A | 4A | — | — |
| SW3823D | ✓ | ✓ | ✓ | DPDT | ON 2-3 5-6 | OFF | ON 2-1 5-4 | — | — | 30A | 30A | 15A | — | — | — | — |

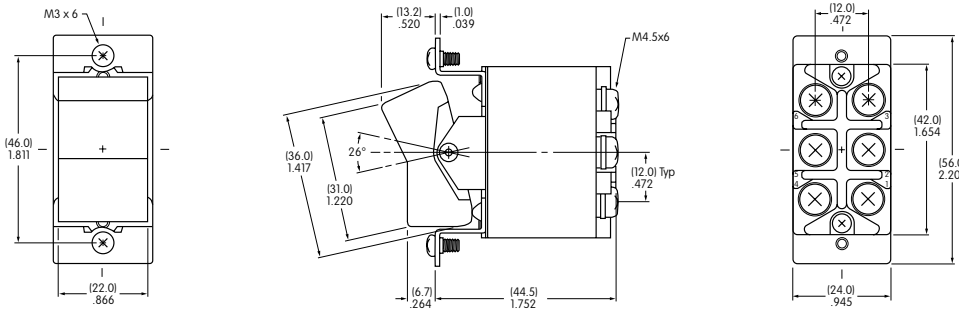
Throw & Schematics: DPST DPDT

Note: Terminal numbers are actually on the switch.

* UL/CUL & CSA for the following ratings: UL/CUL: 30A @ 30V DC, 15A @ 125V DC; CSA: 30A @ 30V DC, 15A @ 125V DC

* UL, cULus & CSA recognized only when ordered with marking on switch (see General Specs)

() capacity is due to series wiring, see General Specifications page.



SW3821 & SW3821D do not have terminals 1 & 4.

Maximum Effective Panel Thickness .177" (4.5mm). Panel cutout shown below.

SW3822

THREE POLE WITH SCREW LUG

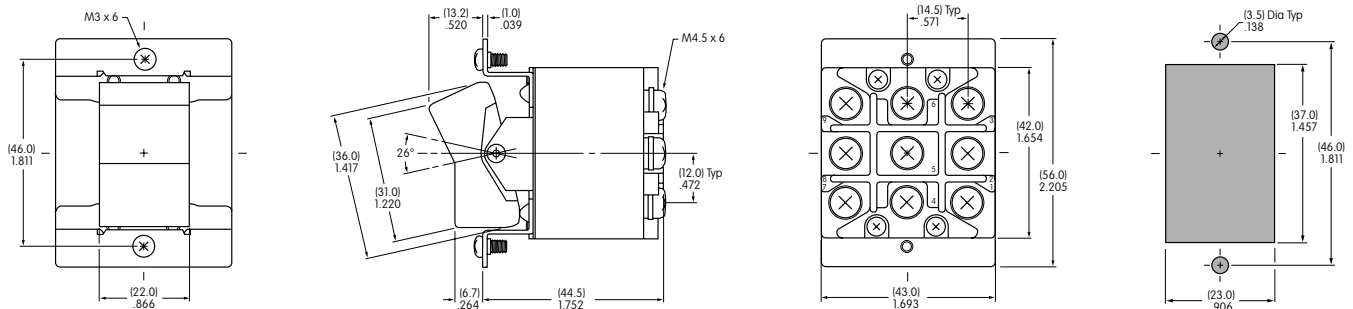
| Model | *Approvals UL cULus CSA | Pole | Rocker Position/Connected Terminals | | | | | | Electrical Capacity | | | | | |
|---------|----------------------------|------|-------------------------------------|---------|----------------|---------|----------------|-----------|---------------------|----------------|-----|-----------|-----|--|
| | | | Down | | Center | Up | | Resistive | | | | Inductive | | |
| | | | AC 125V | AC 250V | DC 30V | DC 125V | DC 250V | DC 400V | AC 125V PF 0.6 | AC 250V PF 0.6 | | | | |
| SW3831 | ✓ | ✓ | ✓ | 3PST | ON 2-3 5-6 8-9 | NONE | OFF — | 30A | 30A | 30A | 1A | 30A | 15A | |
| SW3832 | ✓ | ✓ | ✓ | 3PDT | ON 2-3 5-6 8-9 | NONE | ON 2-1 5-4 8-7 | 30A | 30A | 30A | 1A | 30A | 15A | |
| SW3833 | ✓ | ✓ | ✓ | 3PDT | ON 2-3 5-6 8-9 | OFF | ON 2-1 5-4 8-7 | 30A | 30A | 30A | 1A | 30A | 15A | |
| SW3831D | ✓ | ✓ | ✓ | 3PST | ON 2-3 5-6 8-9 | NONE | OFF — | — | — | 30A | 15A | — | — | |
| SW3832D | ✓ | ✓ | ✓ | 3PDT | ON 2-3 5-6 8-9 | NONE | ON 2-1 5-4 8-7 | — | — | 30A | 15A | — | — | |
| SW3833D | ✓ | ✓ | ✓ | 3PDT | ON 2-3 5-6 8-9 | OFF | ON 2-1 5-4 8-7 | — | — | 30A | 15A | — | — | |

Throw & Schematics: 3PST 3PDT

Note: Terminal numbers are actually on the switch.

* UL/CUL & CSA for the following ratings: UL/CUL: 30A @ 30V DC, 15A @ 125V DC; CSA: 30A @ 30V DC, 15A @ 125V DC

* UL, cULus & CSA recognized only when ordered with marking on switch (see General Specs)



SW3831 & SW3831D do not have terminals 1, 4 & 7.

Maximum Effective Panel Thickness .177" (4.5mm)